

vatech

PaX-i3D Smart™

"Your First Partner for 3D Diagnosis"
Not more than what you want
Not less than what you need



Now With

10

YEARS
MANUFACTURER'S
WARRANTY
ON FULL PARTS

PaX-i3D Smart™

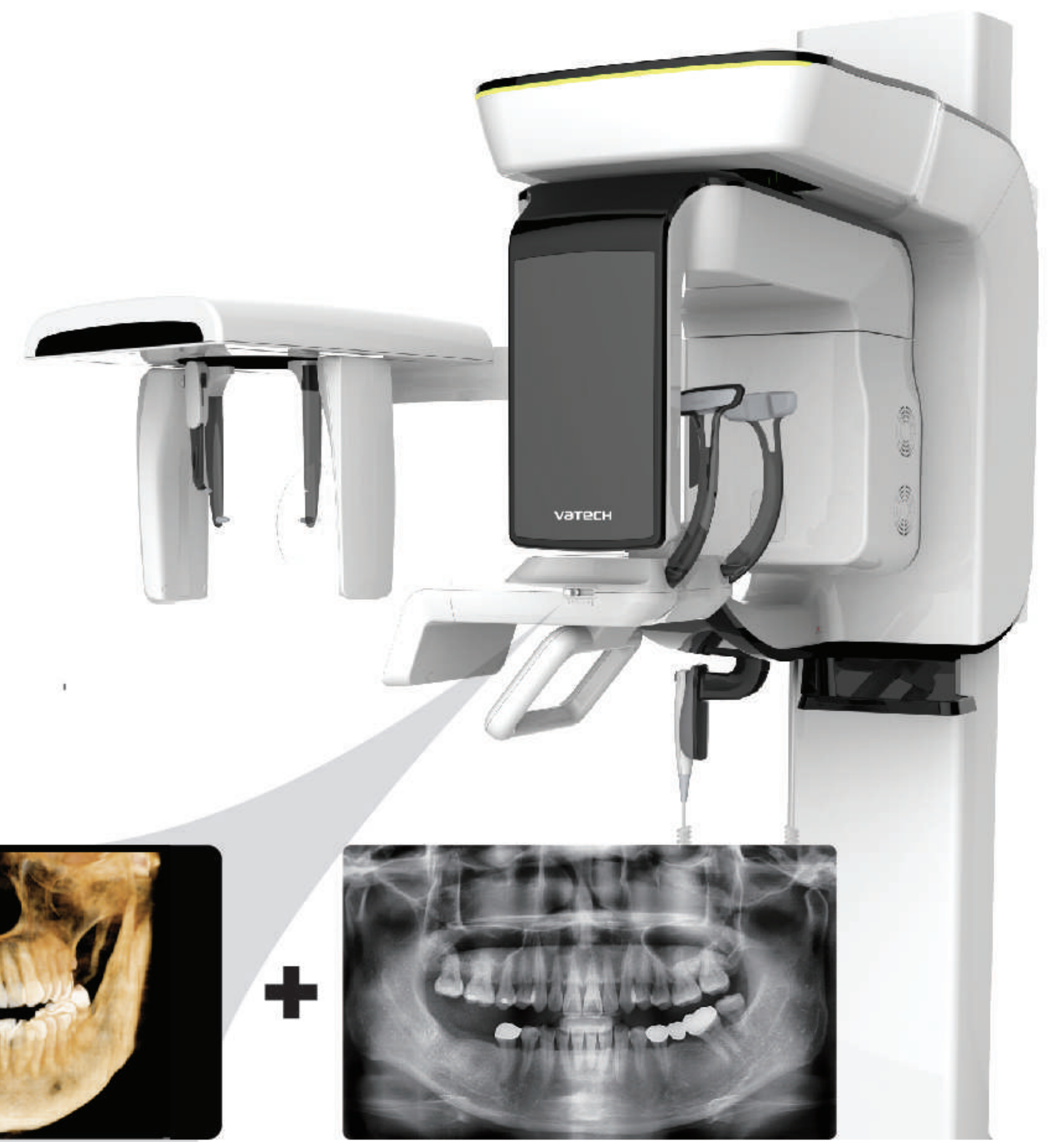
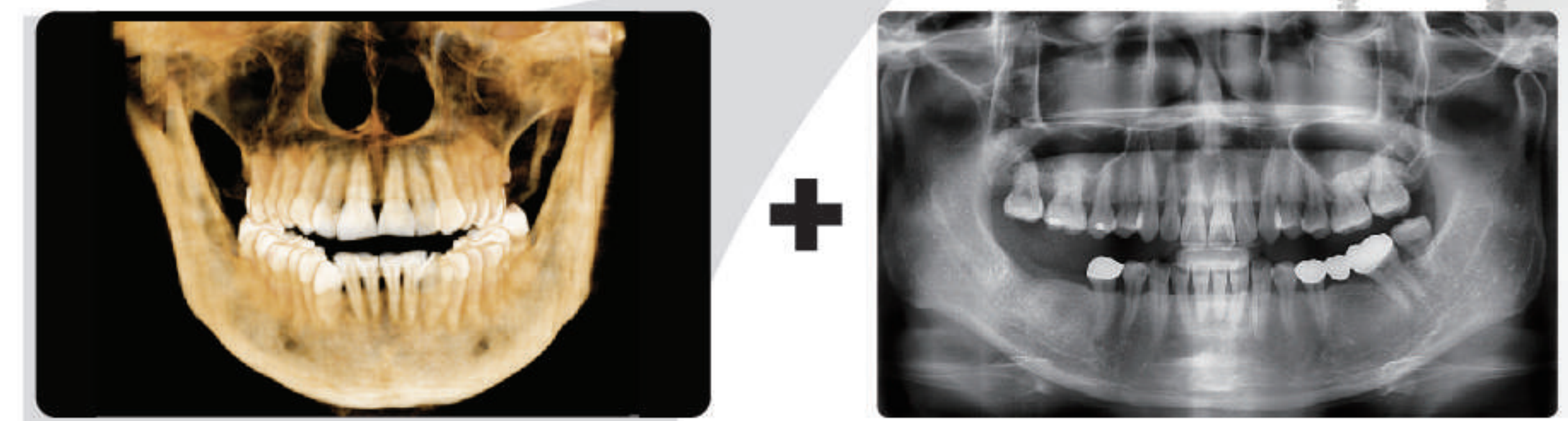
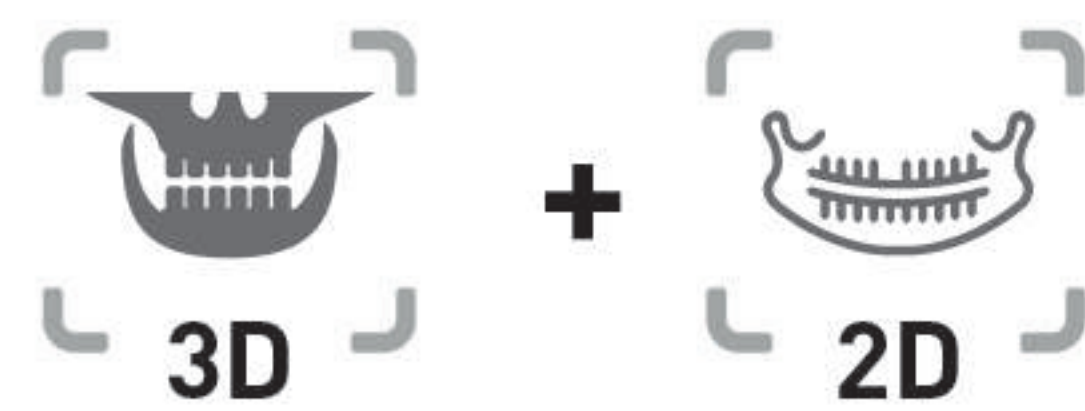
The Premium Choice for General Practitioners

GREEN INNOVATION FOR LOW DOSE

1 Scan, 2 Images

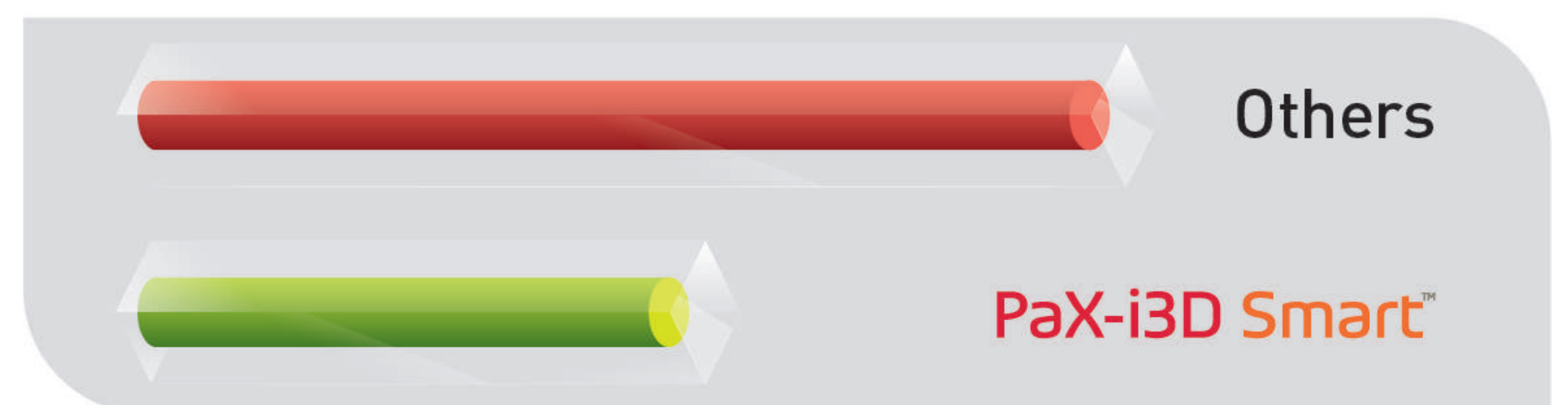
One scan with a PaX-i 3D Smart gives you not just a CBCT image but also an Auto Pano image. This means, patients who require both images do not need to undergo two X-ray scans.

Also, CBCT and Auto Pano images are displayed within the One Viewer feature.



Low Dose and High Image Quality

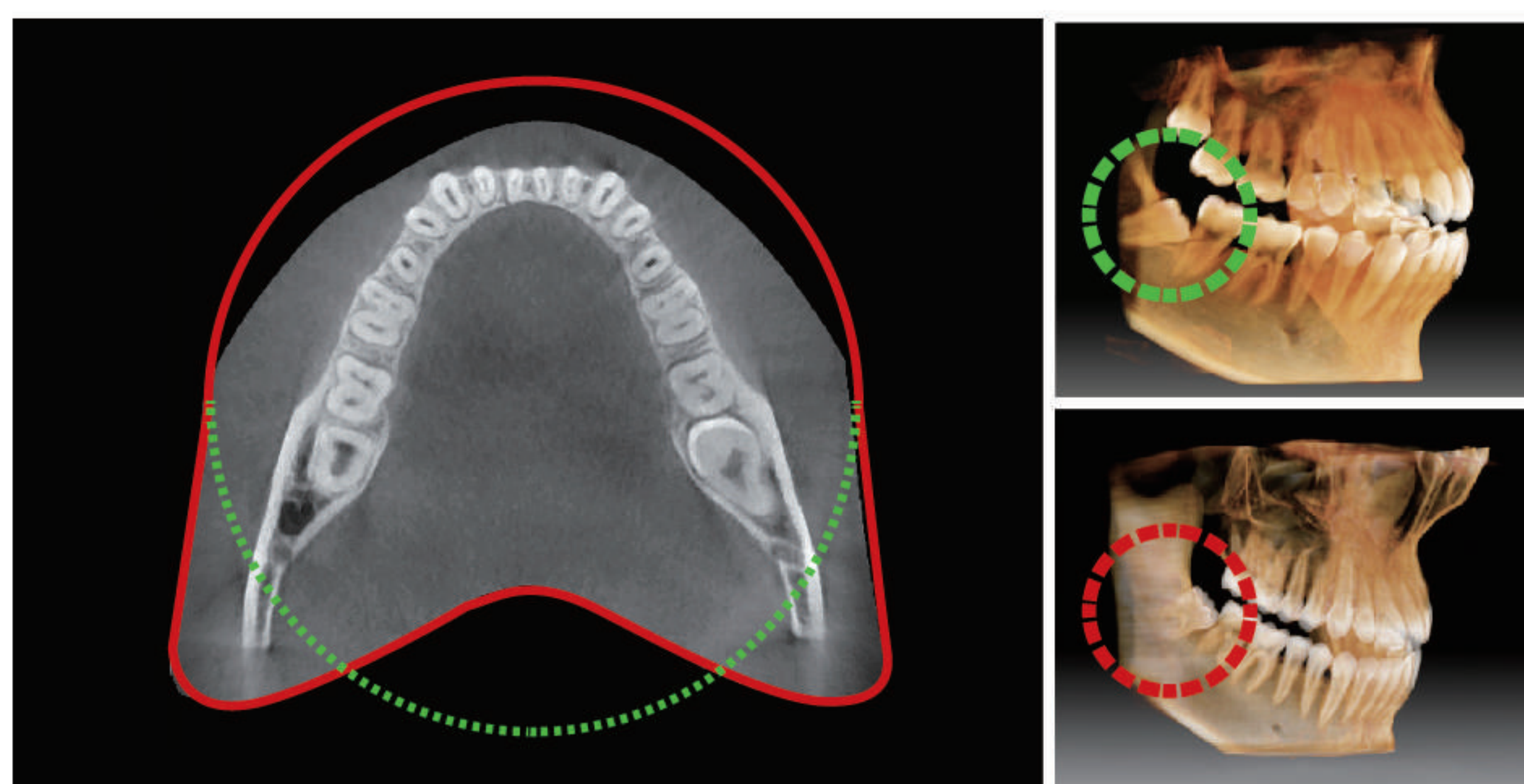
Increasing image quality with higher radiation level or Reducing image quality with lower radiation level, is Easy to do. As a Pioneer of the Green CBCT, Vatech's Green Technology Reduces the Radiation Level of the PaX-i 3D Smart without reducing image quality.



SMART INNOVATION FOR ACCURATE DIAGNOSIS

Anatomical FOV 12x9

The innovative FOV of the PaX-i 3D Smart provides an arch-shaped volume, which shows a wider view of dentition compared to other devices of the same FOV. Normally, a FOV 10 x 8.5 image shows tooth #8. However, when the tooth is lying on its side, there is a high possibility that the tooth will be cut out of the image.



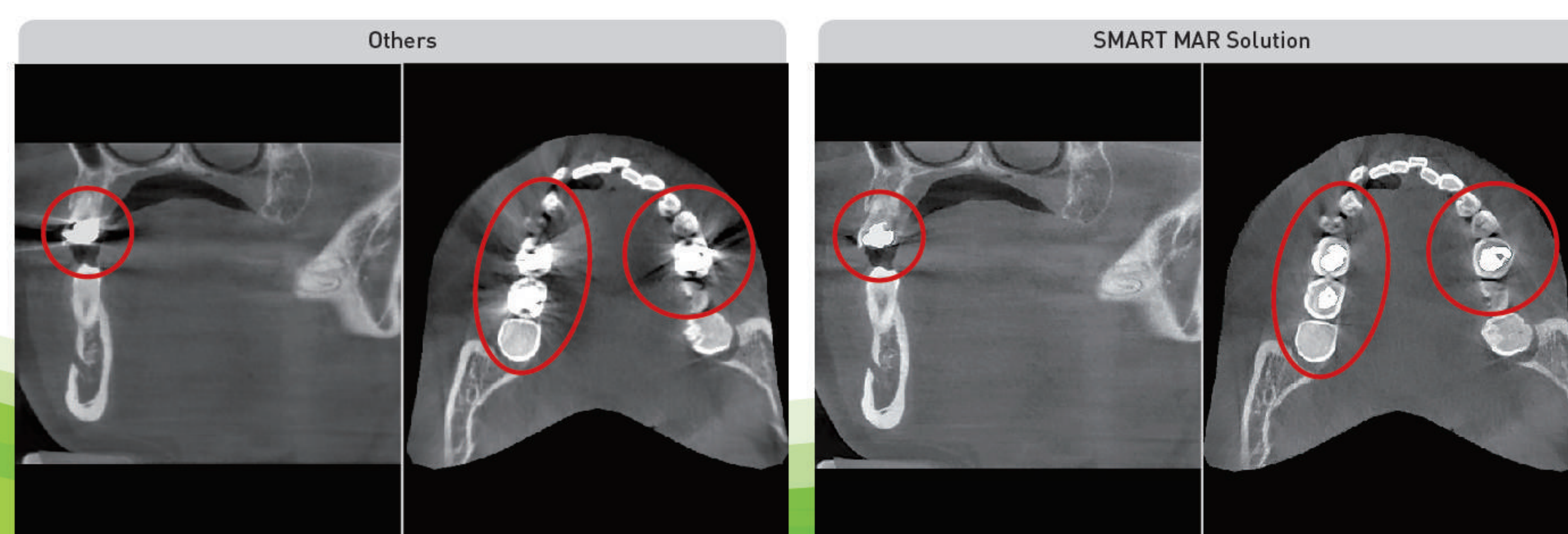
The "Arch-Shaped Volume"

Eliminates this possibility and shows the hidden dentition area.

SMART MAR

ART-V (ARTIFACT REDUCTION TECHNOLOGY OF VATECH)

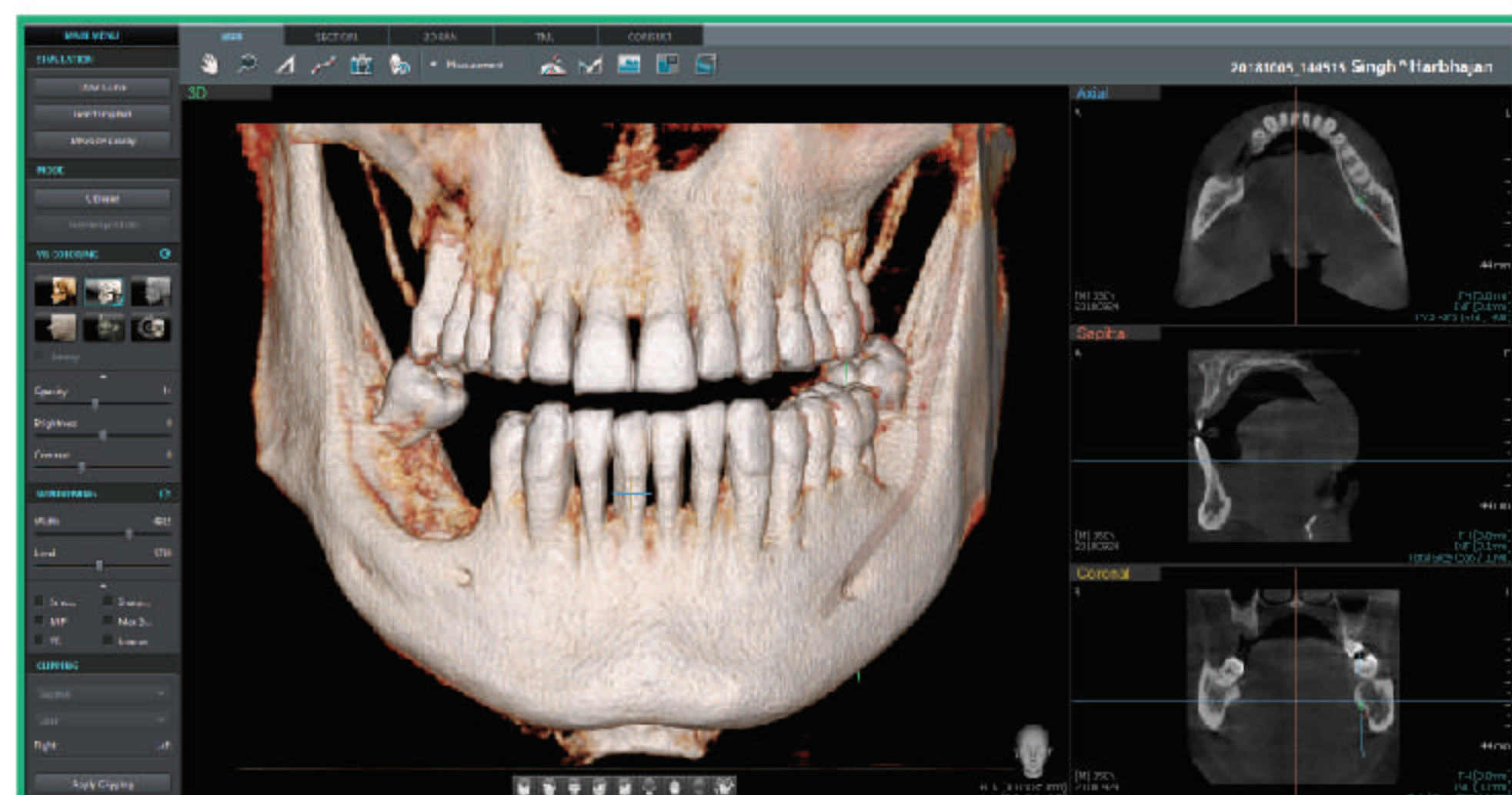
Practitioners want to diagnose with a CBCT that doesn't get affected by metal artifacts and still produce high 3D image quality. SMART MAR provides this powerful capability to its users.



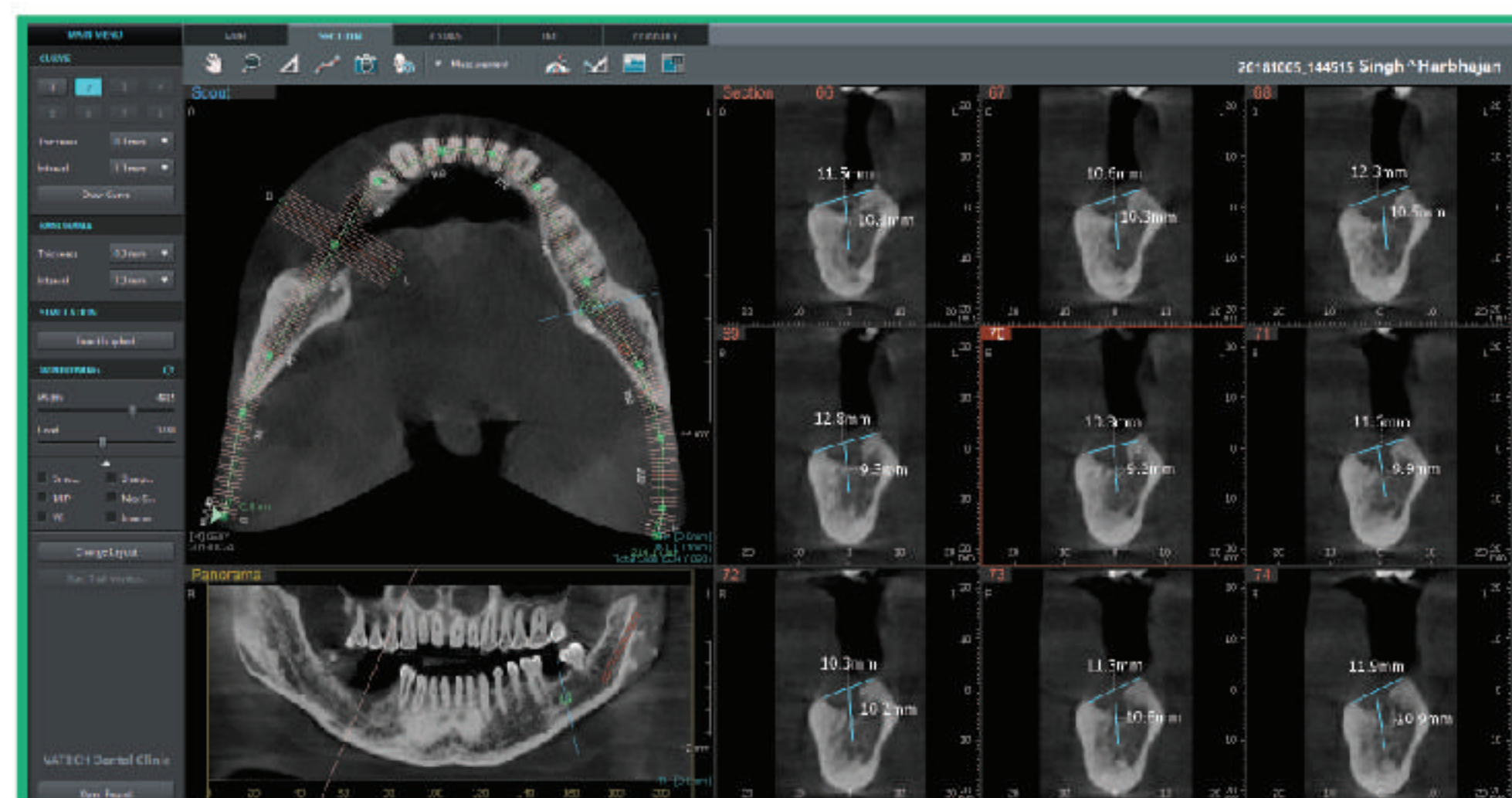
Ez3D-i™

Real 3D Software, Ez3D-i
Ez3D-i supports the whole process of a surgery.

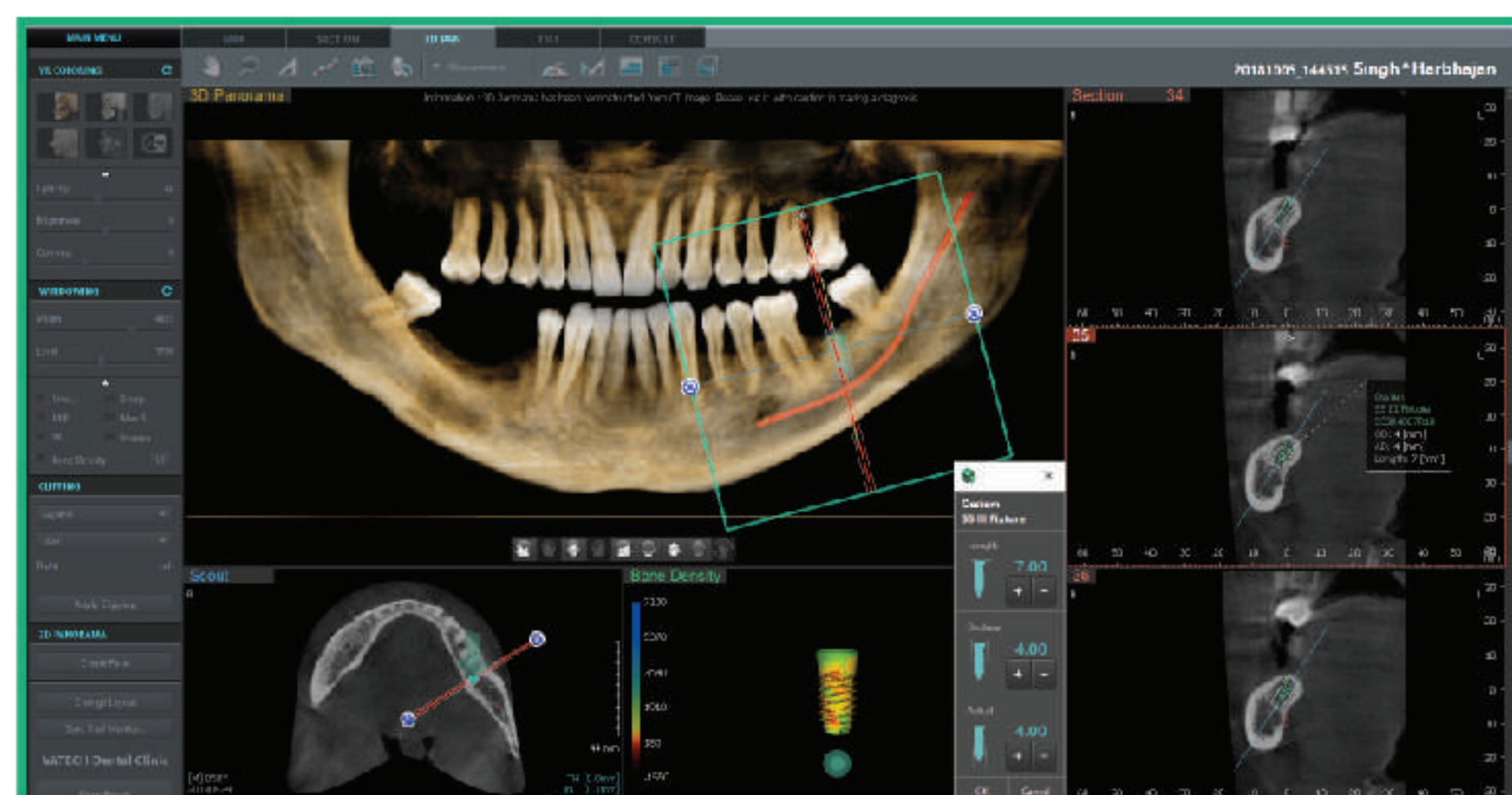
1. Diagnosis: High Quality of VR, Smart Clipping & One Click Section
2. Simulation: 3-Step Implant Simulation, Implant Collision Detector
3. Consultation: Implant Clipping, 3D Bone Density & EzCodi



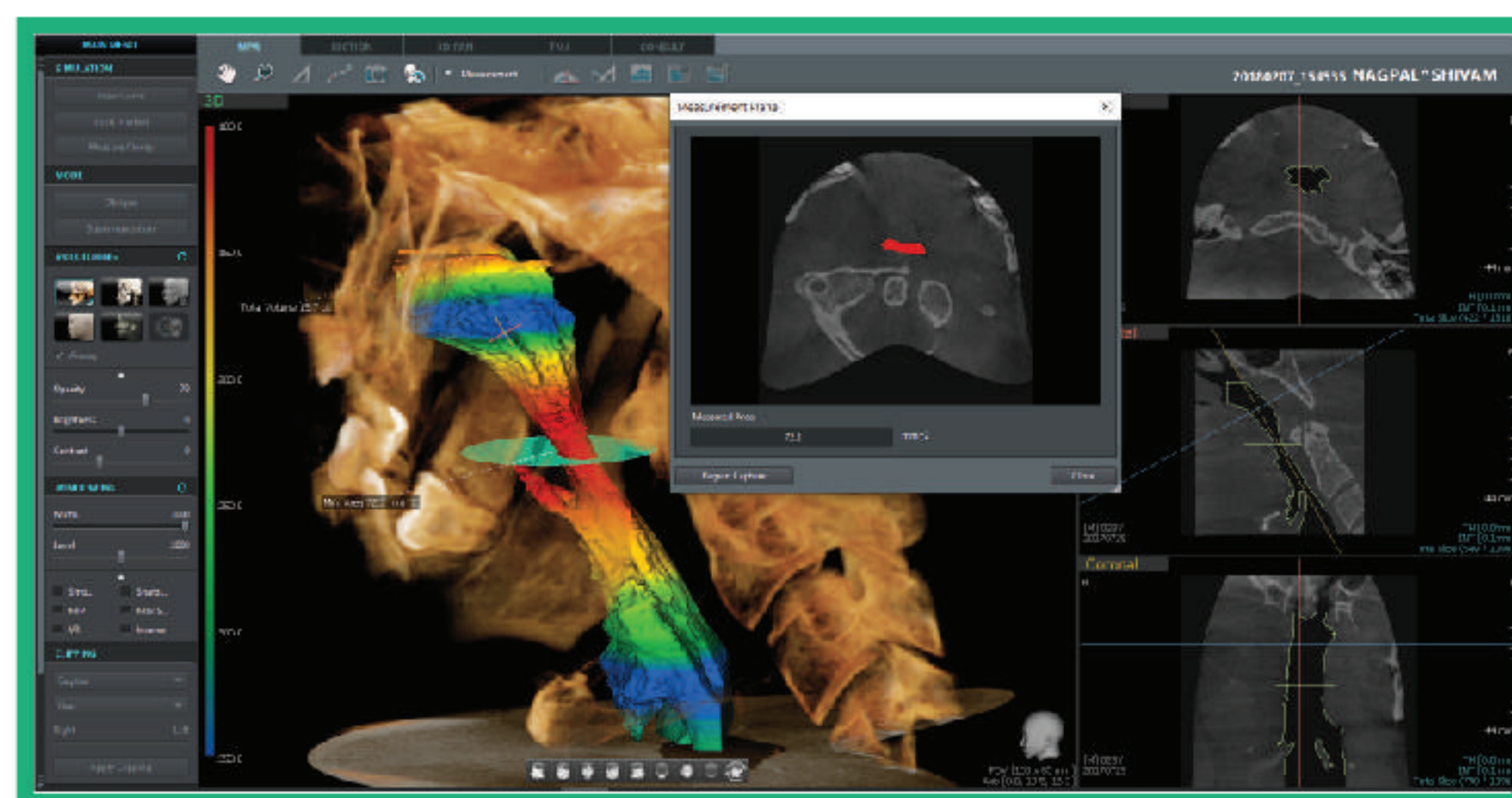
MPR Tab



Section Tab



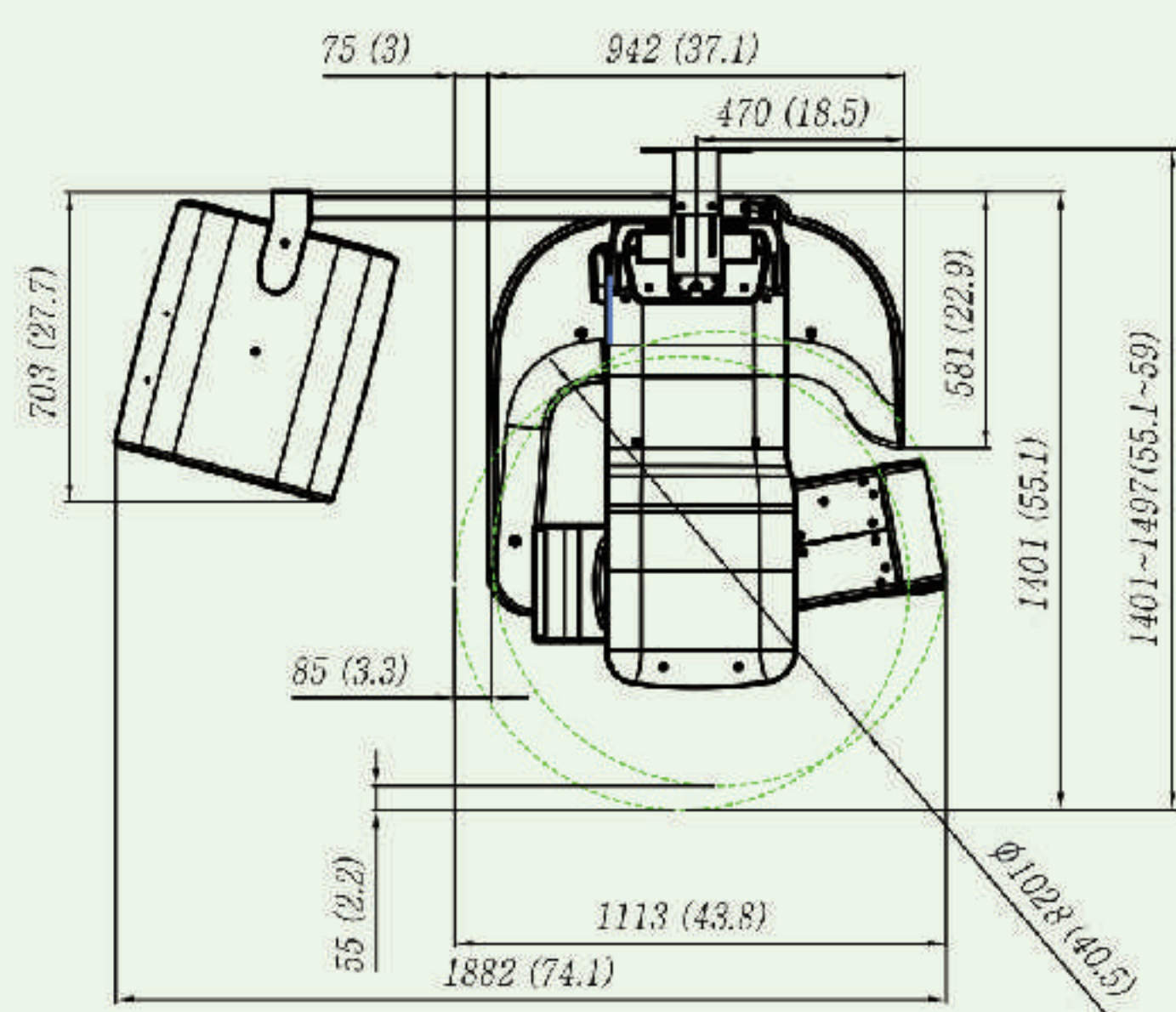
3D Pan Tab



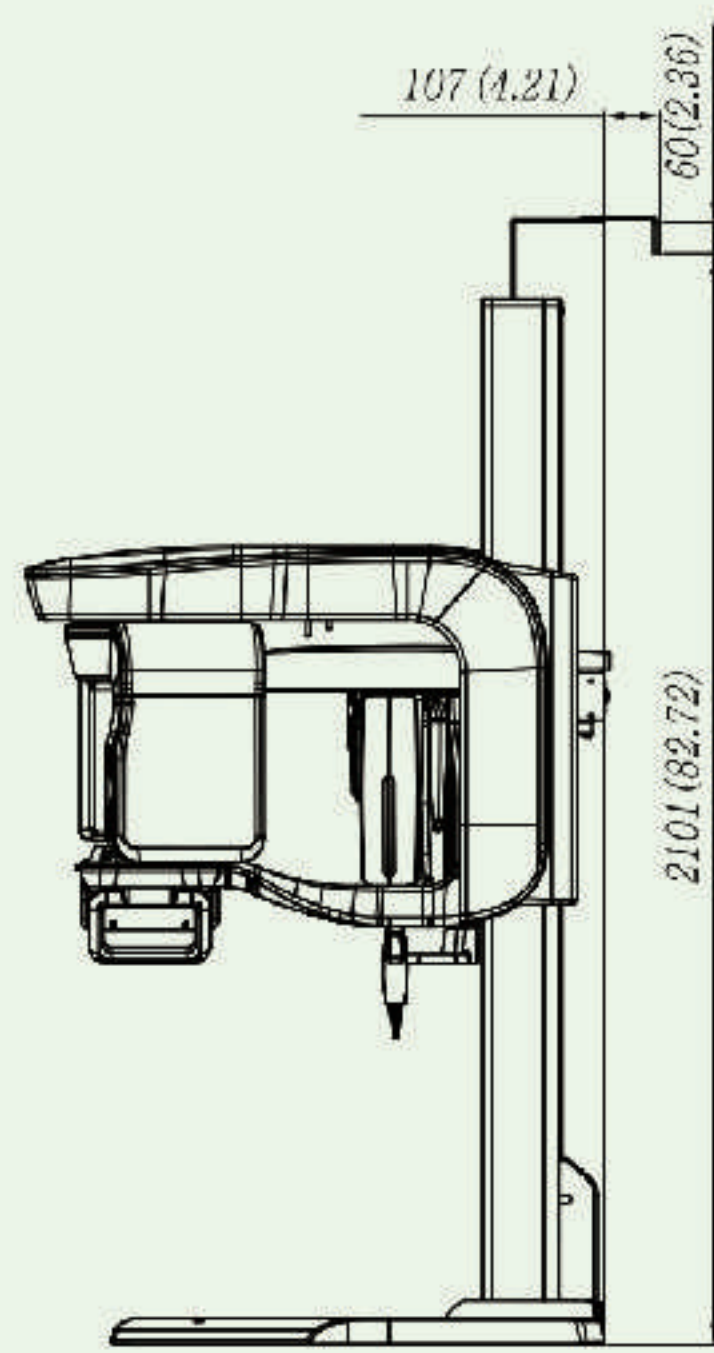
Airway



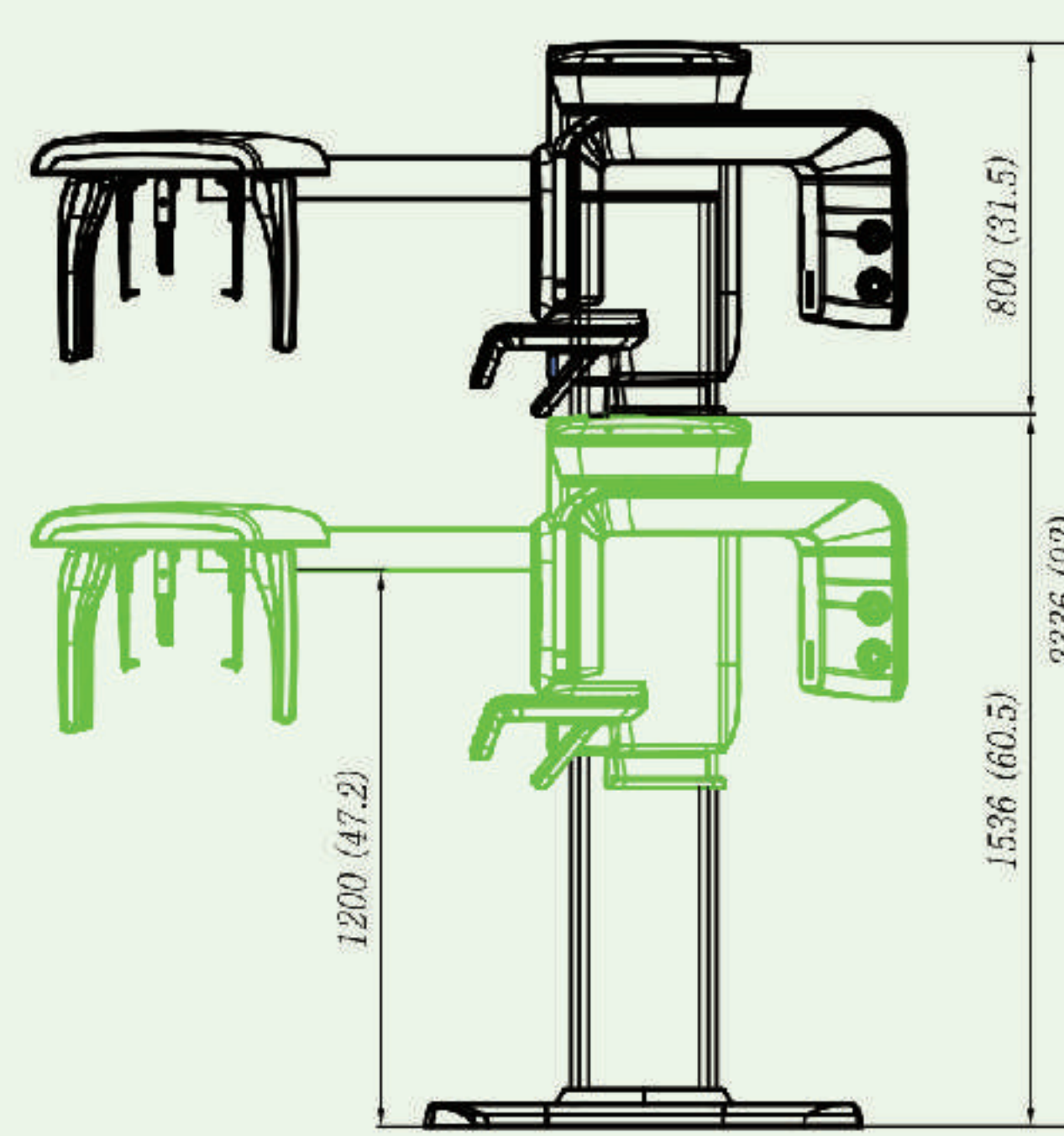
Dimensions [Unit: mm (inches)]



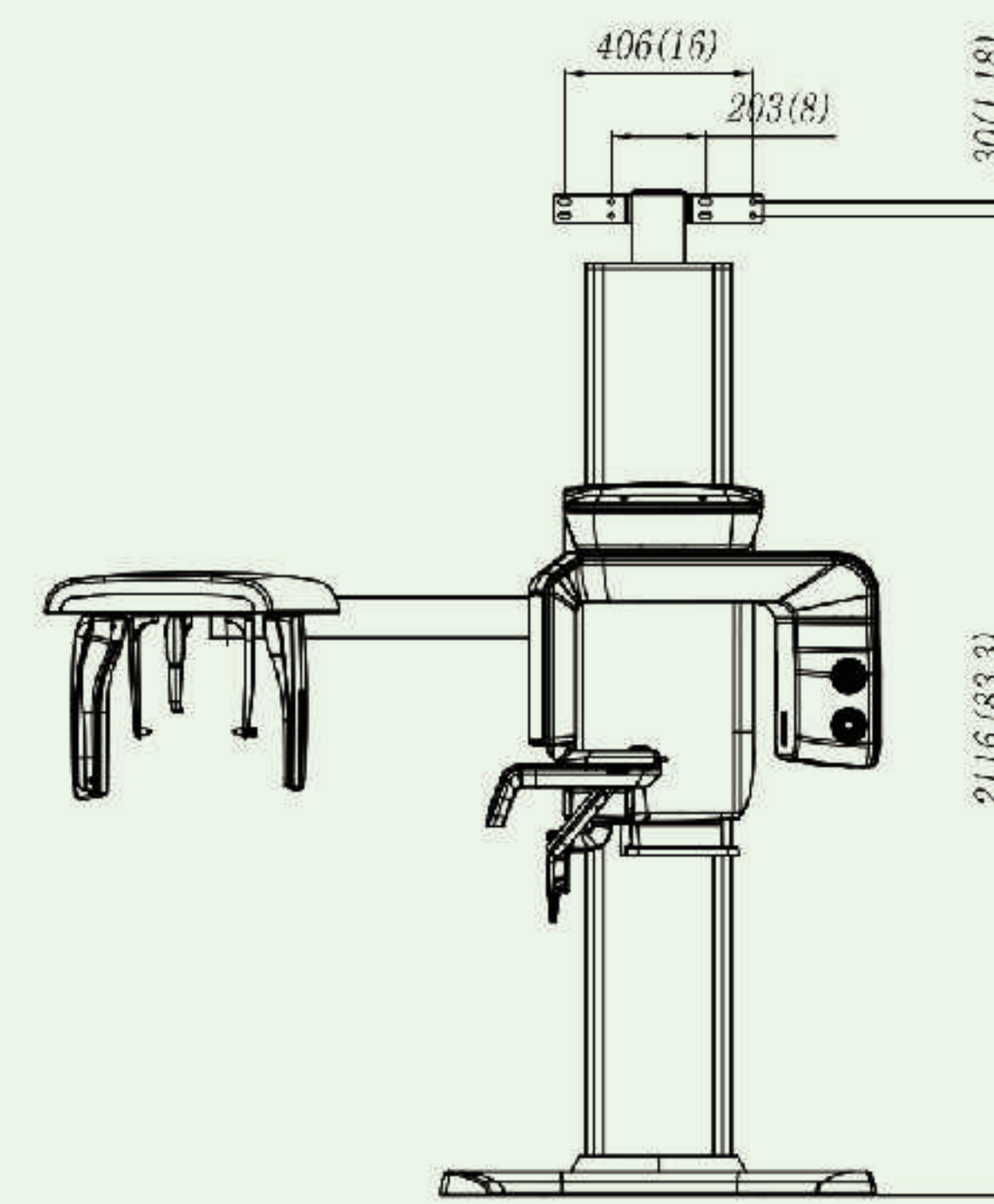
Top View



Side View



Front View



Specifications (PaX-i 3D Smart: PHT-30LFO)

Function	CBCT (with Auto Pano) + Pano + Ceph	
Focal Spot	0.5 mm	
Scan Time	CT	18.2 sec (Exposure Time: 15 sec)
	Pano	13.5 sec
	Ceph	Scan: 12.9 sec

CT FOV Size	Anatomical 12 x 9 cm (10 x 8.5 cm) / 10 x 7 cm / 5 x 5 cm
Voxel Size	0.08 mm / 0.2 mm / 0.3 mm
Gray Scale	14 bit
Tube Voltage / Current	50-99 kVp / 4-16 mA

* The specifications are subject to change without prior notice
* 10 Years Manufacturer Warranty.