

A Fresh Look at “Plug-and-Pan” Imaging

The simplicity you need. The image quality you demand.

With its new Tomosharp technology and powerful image processing, the CS 8100's Evo Edition delivers even more outstanding image clarity than ever before. Extremely compact and simple, this panoramic system makes positioning easier, image acquisition faster and high image quality more accessible. Easy to install, learn and use, the CS 8100 is the perfect unit for your routine imaging needs.



A NEW LEVEL OF SHARPNESS

Our new Tomosharp algorithms—combined with advanced image processing—deliver the best image possible for any anatomy.

UPGRADABLE TO CEPH AND 3D

Whether you need to add cephalometric or CBCT imaging capabilities, the CS 8100 and our imaging software can evolve with your practice needs.

Compact, yet powerful

Discover the panoramic and cephalometric solution of choice for more than 15,000 practices. Despite its compact design, the CS 8100 features state-of-the-art digital technologies and software capabilities that produce clear and sharp images in seconds. The unit accommodates patients of all sizes can be easily installed into any practice size.

HIGH-QUALITY IMAGES —EFFORTLESSLY

Featuring the latest imaging technologies and CS Adapt image processing, the CS 8100 produces clear and sharp images that are ready for review almost immediately.

PERFECT FOR EVERYDAY NEEDS

From standard panoramic images to segmented bitewing, TMJ, and maxillary sinus images, the CS 8100 covers all of your everyday imaging needs.

SMARTER DESIGN

Smart, face-to-face positioning facilitates proper patient placement and increase accuracy.

PRECISE LASER-FREE POSITIONING

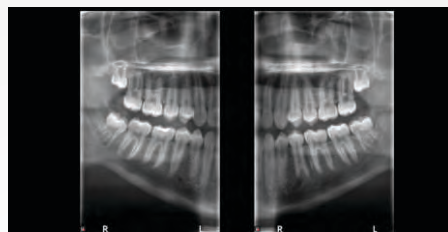
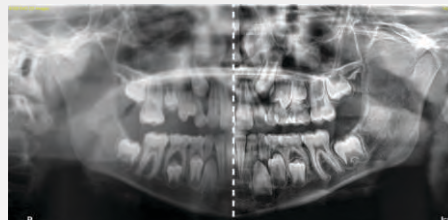
A thicker focal trough eliminates the need for laser beams and facilitates proper positioning, increasing image accuracy and reducing risk of retakes.

SIMPLE AND FAST OPERATIONS

Intuitive user interface, pre-set programs and step-by-step instructions minimize set-up time and errors.

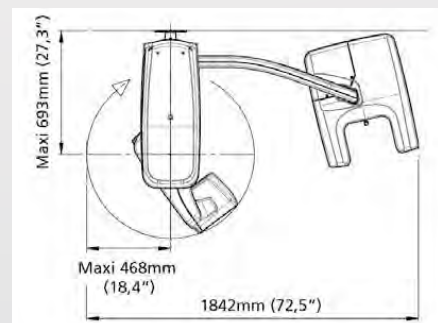
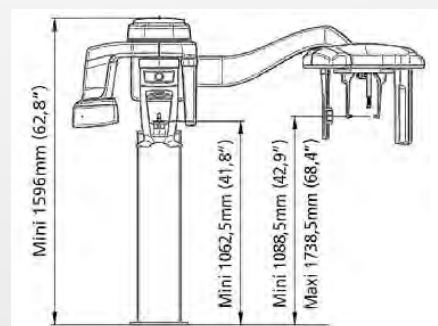
POWERED BY CS IMAGING VERSION 8

Our latest imaging software provides one-stop access to all your 2D images, 3D images and CAD/CAM data—the first step to an effective digital workflow.



Technical Specifications

X-Ray Generator	
Tube voltage	60-90 kV
Tube current	2-15 mA
Frequency	140 kHz
Tube focal spot	0.5 mm (IEC 60336)
Total filtration	> 2.5 mm eq. Al
Input voltage (AC)	100 - 240 V 50/60 Hz
Panoramic Modality	
Sensor technology	CMOS
Image field	6.4 x 131.2 mm 6.4 x 120 mm (pediatric)*
Gray scale	4096 - 12 bits
Magnification	1.2 (± 10%)
Radiological exams	Full panoramic, segmented panoramic, maxillary sinus, LA TMJx 2, LA TMJx 4, 2D+**
Exposure mode	4 patient sizes (Child, Adult: small, medium, large) 3 dental arch morphology (normal, square, sharp)
Exposure time	2 to 12.5 seconds



Carestream Dental India Pvt. Ltd. | WeWork, Oberoi Commerz 2, 20th floor, 1 Mohan Gokhale Rd Colony No 2, Aarey Colony
Mumbai, Maharashtra 400063 | info.apac@csdental.com | 022-50972560